



GPT series POST TOP LED luminaire. Streamline design, elegant styling and smooth lines. Designed to provide ambient and residential lighting. Its elegant stylish design makes it not only a lighting fixture, but a work of art.

- Designed with various wattages, from 25W up to 300W
- Lighting Distribution: Type IV (83° X 142°) or Type V (143° X 146°)
- High performance LED chips
- Integral electronic LED driver
- Robust die-cast aluminium housing
- UV stabilized polyester powder paint finish for durability and corrosion resistance
- Impact resistant, polycarbonate lens with 5mm tick tampered glass for IK09 impact rating
- 3G shake-proof
- Uniform luminous flux and low glare
- Integral electronic LED driver

Applications:

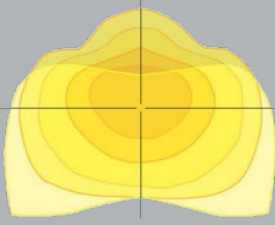
Residential areas, Aged Care facilities, Hotels, Footpaths, Public amenity, Security & Driveways, Parking lots,

Rytec Lighting Australia Pty Ltd

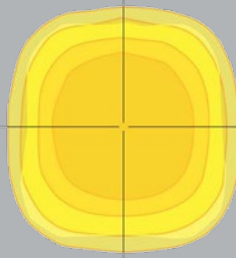
Electrical Data							
Cat	GPT-25	GPT-50	GPT-75	GPT-120	GPT-150	GPT240	GPT300
Power	25W	50W	75W	120W	150W	240W	300W
Input Voltage	100-277VAC, 50/60Hz						
THD	<8%(Classic), <10%(220VAC@Full Load), <20%(100-277VAC@Full Load)						
PF	>0.98						
Driver	Integral electronic LED driver						
Ambient temperature	-40°C to 50°C						-40°C to 45°C
Storage Temperature	-40°C to 80°C						
Control Options	Non-dimmable/ DALI Dimmable / 1-10V Dimmable / Timer Dimming / Movement Sensor						
Surge Protection	10kV/20kV Optional						
Photometric Data							
Efficacy (Lm/W, Std Dev. ±5%)@ CCT=4000K CRI>70Ra	130Lm/W	125Lm/W	120Lm/W	115Lm/W	110Lm/W	135Lm/W	130Lm/W
Luminous Flux (Lm, Std Dev. ±5%)@ CCT=4000K CRI>70Ra	3250Lm	6250Lm	9000Lm	13800Lm	16500Lm	32400Lm	39000Lm
ULOR	= 0%, @ luminaire inclination 0°						
CCT	2700K, 3000K, 4000K, 5000K, 5700K, 6500K						
CRI	70Ra, 80Ra, 90Ra Optional						
Beam Angle	Type IV (83° x 142°) / Type V (143° x 146°)						
Lens	Polycarbonate (Better impact resistant than glass)						
Mechanical Data							
IP Rating	IP66						
IK Rating	IK09						
Material	High strength die-cast aluminium housing						
Protection	Polycarbonate with tampered glass cover (5mm tick)						
Painting	Silver grey or black paint finish						
Surface Treatment	Anti-UV thermosetting polyester / 80~120 micron epoxy primer + Anti-UV thermosetting polyester for extremely corrosive environment.						
Cable	Pre-wired with a 300mm long cable (Other length on request)						
Mounting	Post top mounting with 2 options (Post Top I or Post Top II), or Side entry mounting						
Dimensions (without bracket)	Ø460mm * 80mm					Ø520mm * 91mm	
Others							
LED Lifespan	L90>100,000Hrs, The luminous flux of the LED is reduced by 10% (L90) of its initial value at 100000 hrs						
Net Weight	7.2Kg	7.2Kg	7.2Kg	7.7Kg	7.7Kg	9.5Kg	9.5Kg
Recommended installation height	3~6 mtr	3~6 mtr	3~6 mtr	4~9 mtr	4~9 mtr	5~12 mtr	5~12 mtr

*** NOTE: Dimensions and Cut Out sizes may change without notification.

Photometry Design

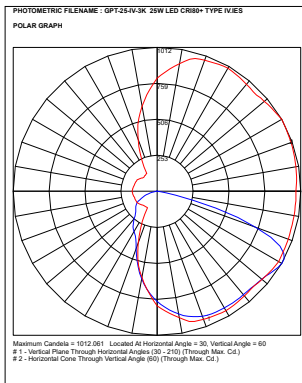


Type IV (83° x 142°)

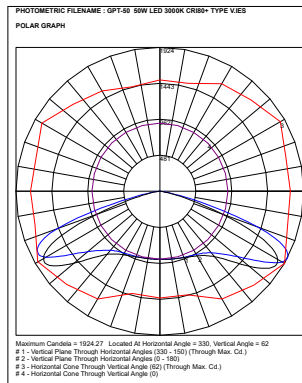


Type V (143° x 146°)

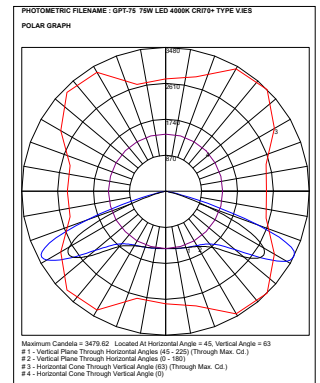
GPT-25 25W 3000K CRI80+ Type IV



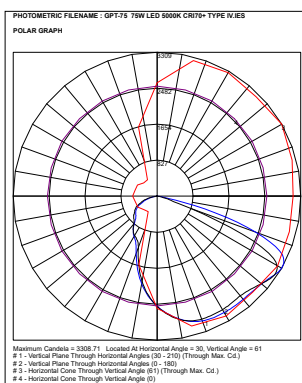
GPT-50 50W 3000K CRI80+ Type V



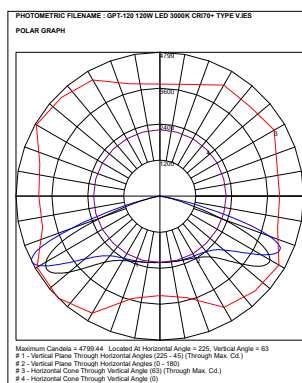
GPT-75 75W 4000K CRI70+ Type V



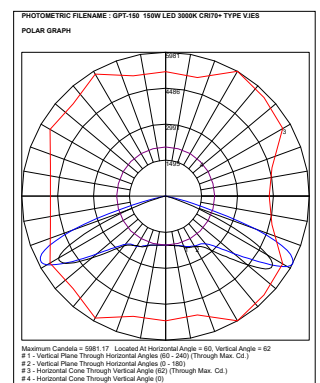
GPT-75 75W 5000K CRI70+ Type IV



GPT-120 120W 3000K CRI70+ Type V



GPT-150 150W 3000K CRI70+ Type V



*** NOTE: Dimensions and Cut Out sizes may change without notification.



Post Top I



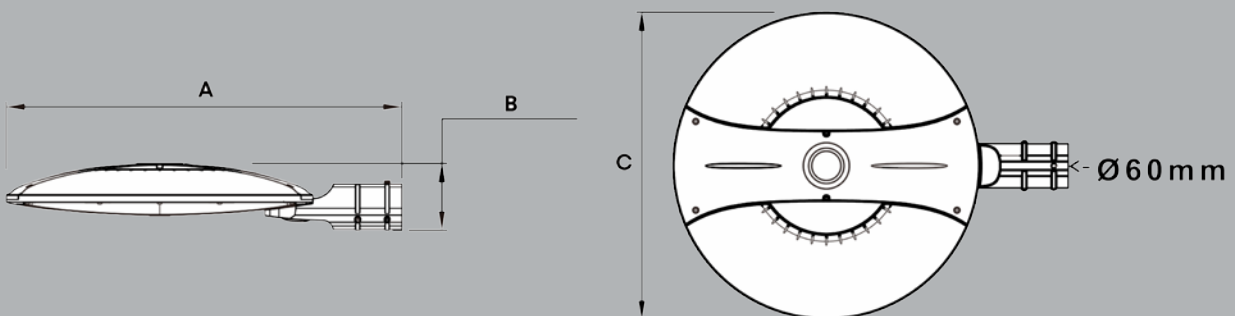
Post Top II



Side Entry

- Dynamic thermal management safeguards electrical components from exceeding temperature limitations.
- Its elegant stylish design makes it not only a lighting fixture, but a work of art.
- The design features a die-cast aluminium housing, ensuring durability.
- The absence of visible hardware enhances its aesthetic appeal.
- Streamline design, elegant styling and smooth lines.
- Flexible installation, choose from above methods, suitable for different applications.

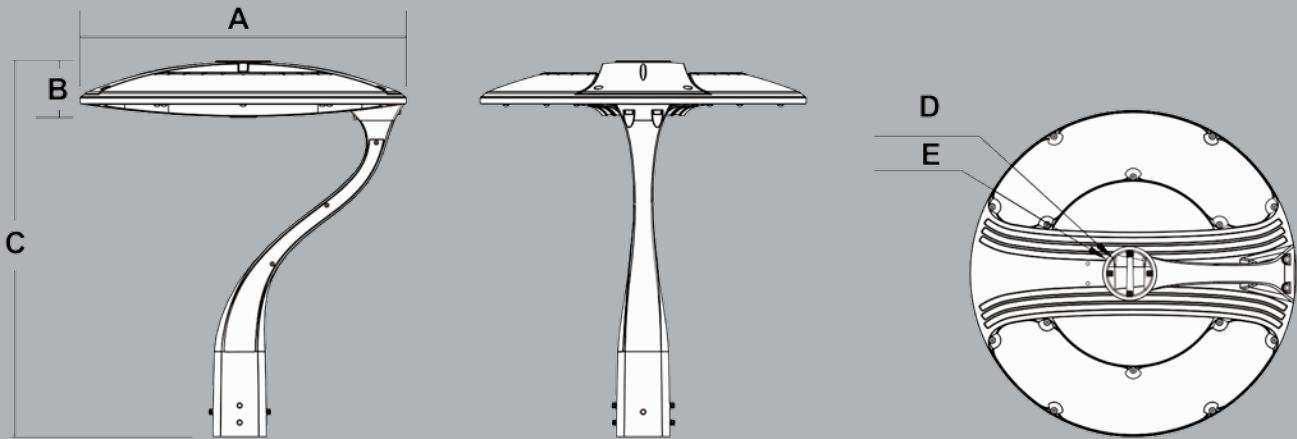
Dimensions - Side Entry			
Side Entry	A	B	C
25W to 150W	612mm	106mm	Ø460mm
240W to 300W	670mm	113mm	Ø520mm



*** NOTE: Dimensions and Cut Out sizes may change without notification.

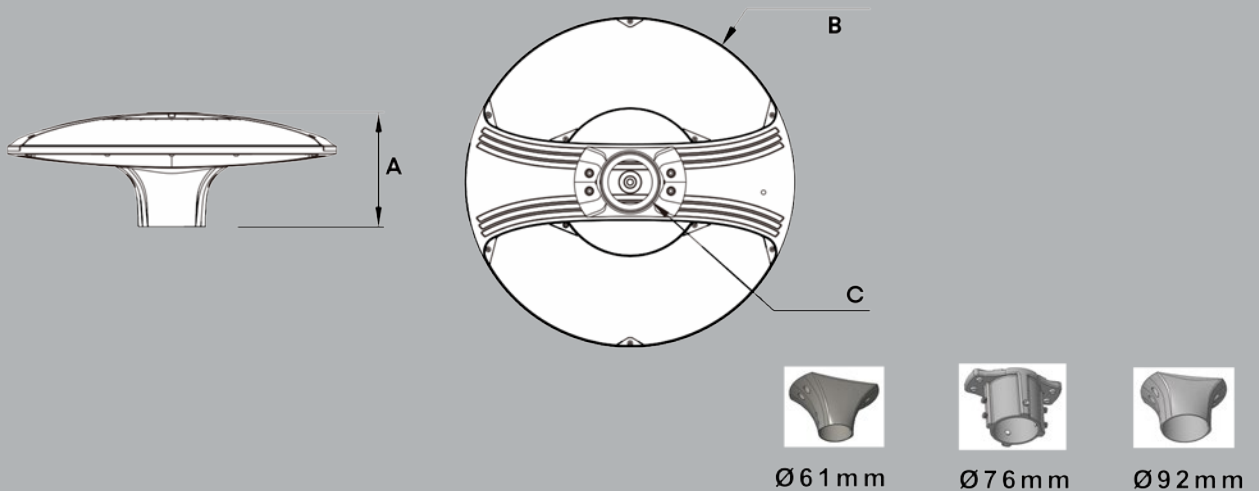
Dimensions - Post Top I

POST TOP I	A	B	C	D (Inside)	E (Outside)
25W to 150W	Ø460mm	80mm	530mm	Ø62mm	Ø76mm
240W to 300W	Ø520mm	82mm	539mm	Ø62mm	Ø76mm



Dimensions - Post Top II

POST TOP II	A	B	C
25W to 150W	172mm	Ø460mm	Ø61mm/ Ø76mm/ Ø92mm
240W to 300W	180mm	Ø520mm	Ø61mm/ Ø76mm/ Ø92mm



*** NOTE: Dimensions and Cut Out sizes may change without notification.