

VPN/SS series IP65 slim design LED weatherproof luminaire with grey polycarbonate housing, opal polycarbonate diffuser, stainless steel clips and integral electronic LED driver.

Colour Temperature: **Switchable:** 3000K / 4000K / 6000K

CRI: CRI80+

LEDs Life Time: 50,000Hrs L70 / B10

Beam Angle: Wide beam angle

Driver options: Non-dimmable, DALI/DSI dimmable

Clips: Stainless Steel Clips

Operating Temperature: -20° C ~ 50° C

IK Rating: IK08

IP Rating: IP65

Options: Internal motion sensor
Integral Motion & daylight sensor
Maintained or Non-Maintained emergency

Applications:

Interior or exterior use, Industrial & Commercial applications, School, Warehouses, Car parks

Lumen output based on Absolute lumens, 4000K LED chip and manufacturers rated mA drivers.

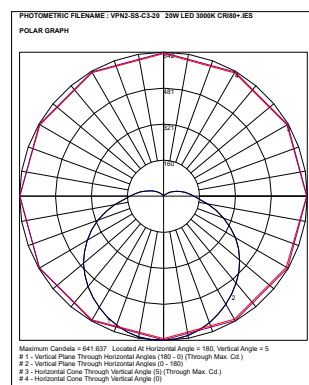
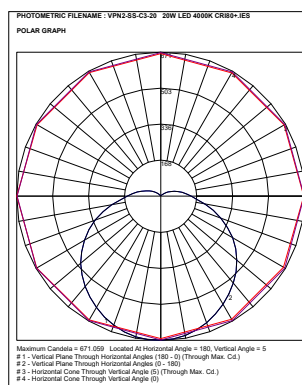
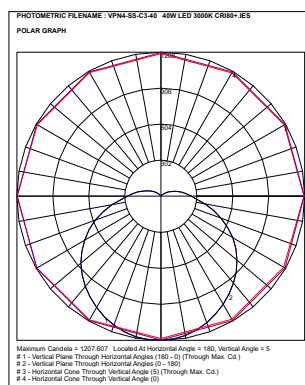
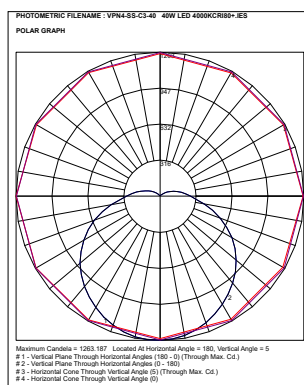
*** NOTE: Dimensions and Cut Out sizes may change without notification.

VPN/S Series weatherproof luminaires

Cat	Watt	Colour Temperature	Lumen Output	CRI	Size LxWxH	IP
VPN2/SS-20	20W	3000K 4000K 6000K	2268 2372 2265	CRI80+	660x117x79	IP65
VPN4/SS-40	40W	3000K 4000K 6000K	4268 4465 4264	CRI80+	1260x117x79	IP65

Optional Extras

Options	Suffix	Comments
Motion Sensor	MS	Integral
Motion & Daylight Sensor	MSD	Integral
Maintained Emergency	EBM	Single point system integral maintained emergency pack
Non-maintained Emergency	NM	Single point system integral non-maintained emergency pack.
Motion Sensor and Maintained Emergency	MS-M	This option is available only for the 1260mm long luminaires.



Lumen output based on Absolute lumens, 4000K LED chip and manufacturers rated mA drivers.

*** NOTE: Dimensions and Cut Out sizes may change without notification.